

BKG[®] Master-Line™ with modular Belt Filter Underwater Pelletizing System

Throughput range up to 2,000 kg/hr (4,400 lb/hr)

Processes:

- Masterbatch
- Compounding
- Recycling

Materials:

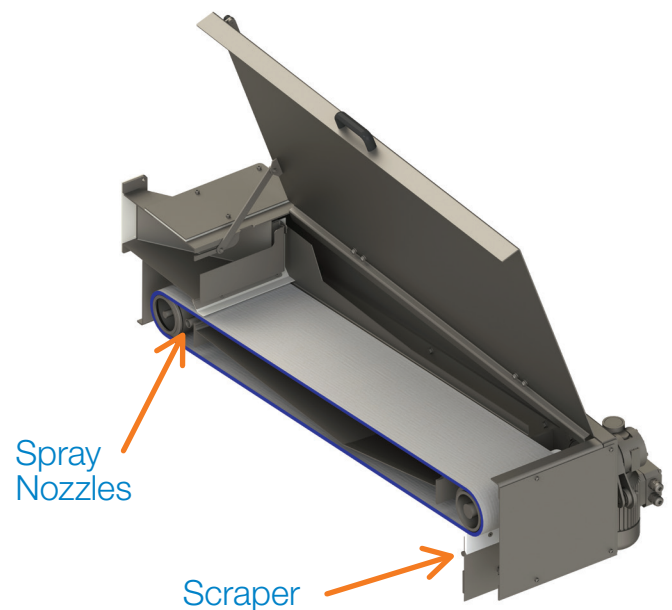
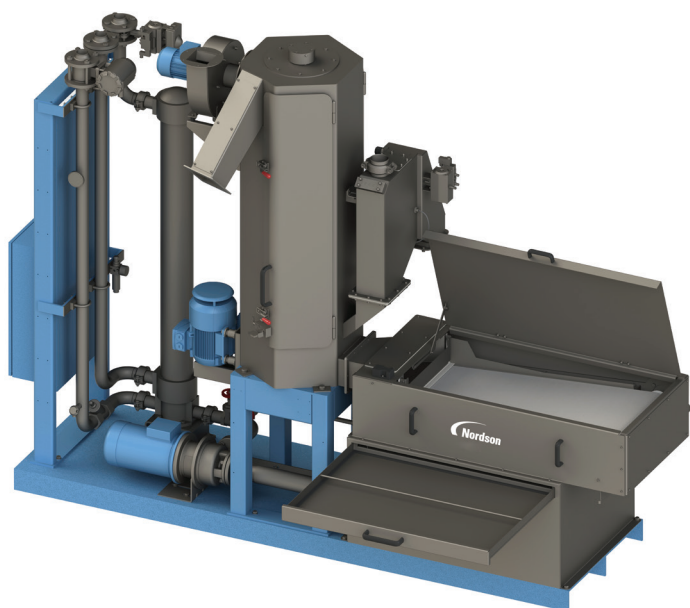
- All materials which behave like thermoplastic polymers (PE, PS, ABS, SAN, PA, PET, PC, POM, TPE, TPU, EVA, APAC, PMMA, EPDM)
- Highly-filled compounds
- Materials which generate a high degree of fines

Optional Belt Filtration for:

- BKG Master-Line™ 1000 & 2000



The BKG Master-Line™ with Belt Filter water filtration system is an enhancement of our widely-popular Master-Line™ Underwater Pelletizing System. The Master-Line™ with Belt Filter offers the addition of a continuous belt filtration system for our BKG Master-Line™ 1000 & 2000 models. It is an economic, automated, self-cleaning tempered water system which minimizes operator intervention and maximizes productivity and uptime.



BKG[®] Master-Line™ with modular Belt Filter Underwater Pelletizing System

Model	Pellet Dryer	Capacity
Master-Line™ 1000 w/ Belt Filter	TVE 1001 ED	< 1,200 kg/hr (2,600 lb/hr)
Master-Line™ 2000 w/ Belt Filter	TVE 2000 ED	< 2,000 kg/hr (4,400 lb/hr)

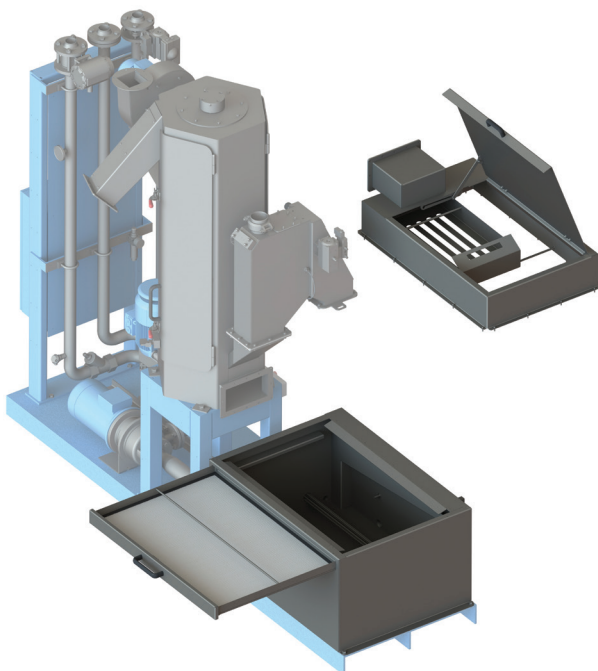
Features:

- Continuously rotating filter belt
- Self-cleaning of the filter belt with scraper and spray nozzles
- Additional safety filter (filter cassette drawer)
- Modular design
- Completely skid-mounted
- Dual door dryer access for easy cleaning

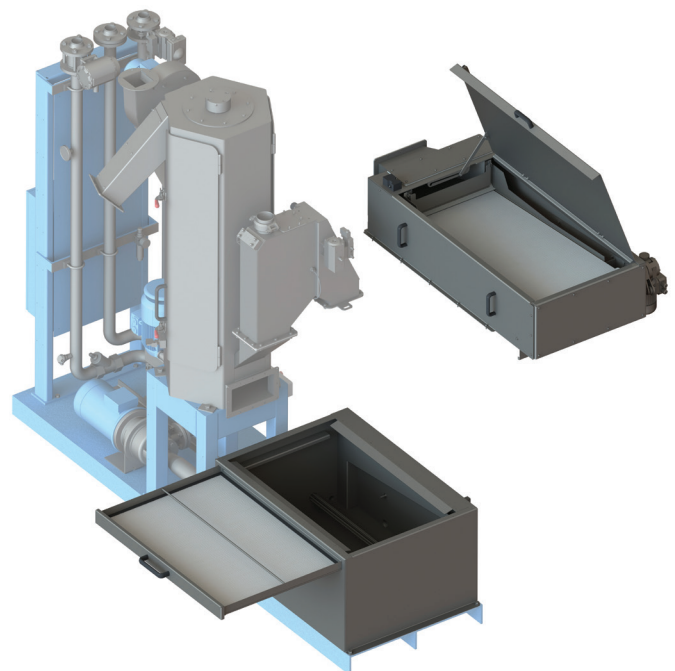
Benefits:

- High level of automation, reduced operator intervention
- Master-Line™ can be upgraded to the automatic Belt Filter
- Fine filtration at 150µm
- Compact footprint
- Automatic water filtration at an economical price

- without belt filter



- with belt filter upgrade



Nordson BKG GmbH
Hessenweg 3
48157 Münster / Germany
+49.251.26501.0 **Phone**

USA
+1.828.326.9888 **Phone**

China
+86.21.5785.091.8 **Phone**

www.nordsonpolymerprocessing.com | info@nordsonpolymerprocessing.com
© 2015 Nordson PPS GmbH
Printed in USA
8/2016

