

B 6300 mm

A 5855 mm

C 2500 mm

800

300

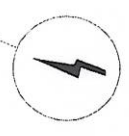
600

580

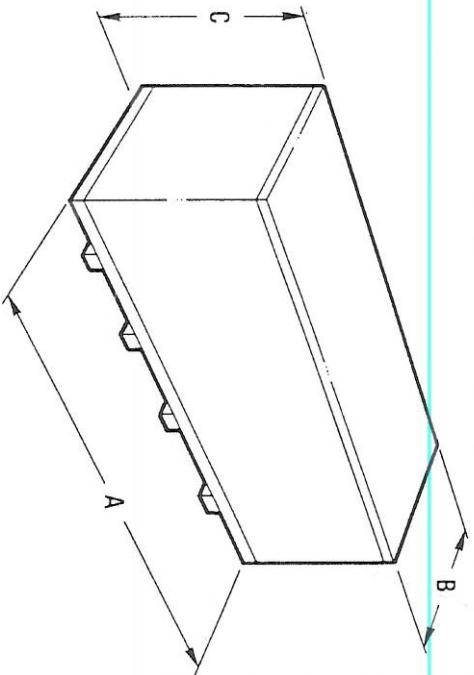
512

150

1650

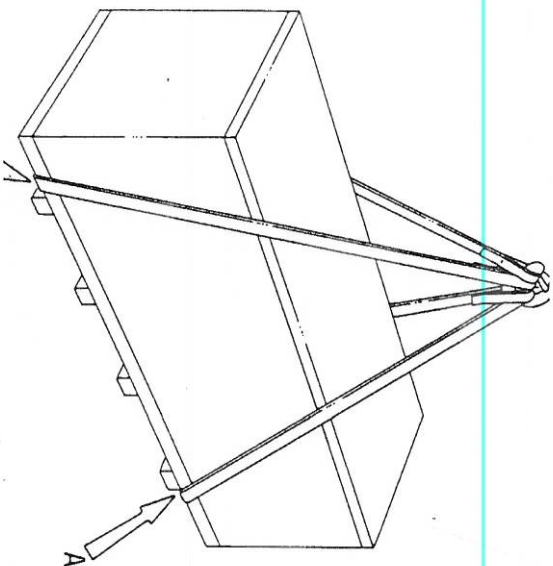


1 PACKED MACHINE DIMENSIONS AND WEIGHTS IN WOOD CRATE (IF ANY)

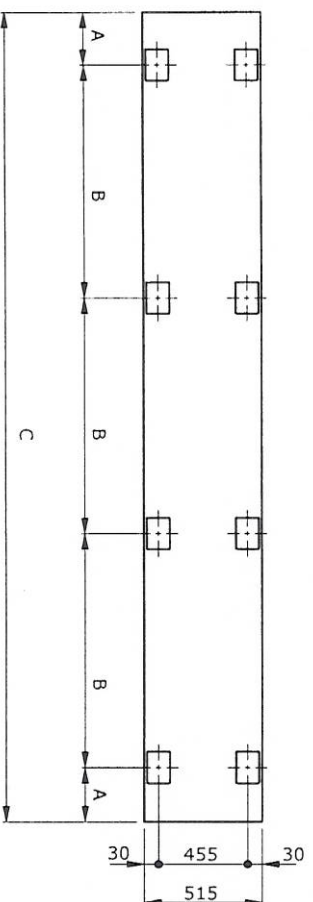
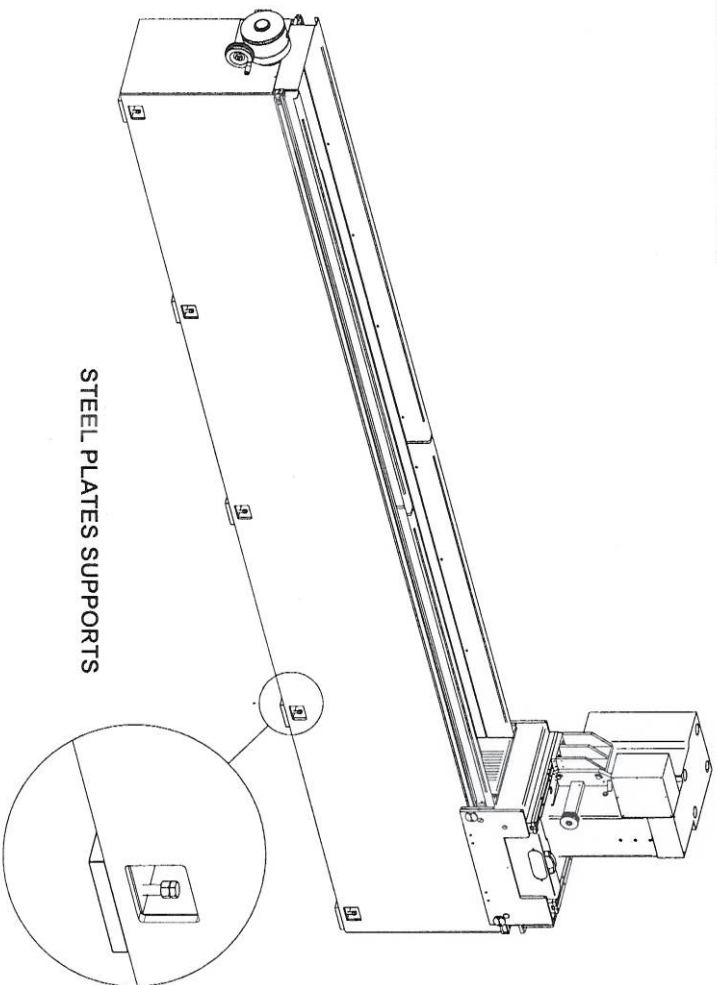


Macchina tipo Machine model	A (mm)	B (mm)	C (mm)	Peso Netto Net Weight (kg)	Peso Lordo Gross Weight (kg)
KS 250 - 15	3920	1520	2100	2500	2800
KS 250 - 21	4550	1520	2100	2800	3150
KS 250 - 25	5000	1520	2100	3100	3500
KS 250 - 31	5620	1520	2100	3400	3850
KS 250 - 36	6070	1520	2100	3700	4200
KS 250 - 41	6520	1520	2100	4000	4600
KS 250 - 51	7570	1520	2100	4700	5400
KS 250 - 61	7670	1520	2100	5400	6200

2 HANDLING AND HOISTING THE PACKED MACHINE



3 STEEL PLATES SUPPORTS



Machine model	A (mm)	B (mm)	C (mm)
KS 250 - 15	235	1400	3270
KS 250 - 21	145	1200	3890
KS 250 - 25	145	1350	4340
KS 250 - 31	155	1165	4965
KS 250 - 36	160	1275	5415
KS 250 - 41	135	1400	5865
KS 250 - 51	135	1335	6940
KS 250 - 61	150	1265	7840