

# CM-100A Automatic Punching Machine

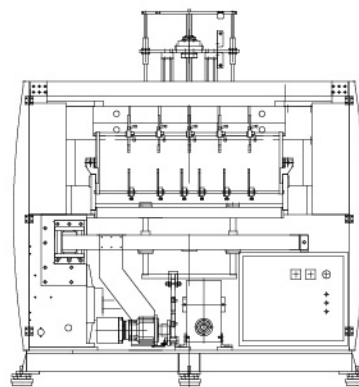
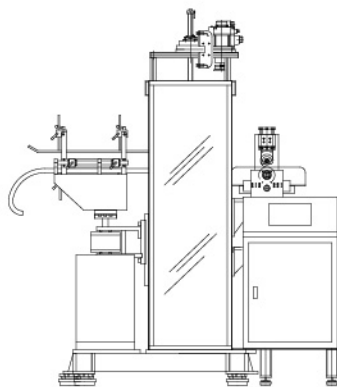
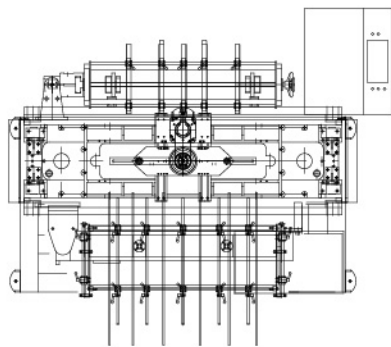
## ／ Feature ／

- ◎ Linking device operates according to the punching speeds and count collecting of the forming machine.
- ◎ Precise and quick servo control.
- ◎ The eccentric wheel interchanges vertically featuring high torsion and low noise.
- ◎ Two-stage feeding controlled modules and module sequence.
- ◎ Prompt Changing Mold.
- ◎ Non-stopping punching when push out the products by shutter device.
- ◎ F.C.D. casting is construction.
- ◎ PP、HIPS、OPS、PLA、PET、PVC、PE、ABS、PSP... etc various material are available for Food & Industrial packaging.
- ◎ PLC and color touch screen control.  
Allow 40 Modules memory.



# CM-100A Automatic Punching Machine

ITEM	SPECIFICATION
Max Trimming Size	1,030(W)×350(L)mm
Trimming height Max	Max: 150mm
Trimming Stroke	220mm
Trimming Speed	30~90cycle/min
Trimming force	8 Tone
Operation Method	Fully automatic PLC and color touch screen control
Machine Dimension	2,750(L)×2,450(W)×2,950(H)mm
Machine Weight	5,000kgs



**承美機械有限公司**  
**CHENG MEI MACHINE CO., LTD.**

台灣省桃園縣大溪鎮大鶯路1619號  
 No. 1619, Daying Rd., Dasi Town, Taoyuan County,  
 Taiwan 33553  
 Tel: 886-3-307-6309 Fax: 886-3-390-9519  
 E-mail: cheng-mei@cheng-mei.com.tw  
 http://www.cheng-mei.com.tw