

CM-80 Thermoforming Machine



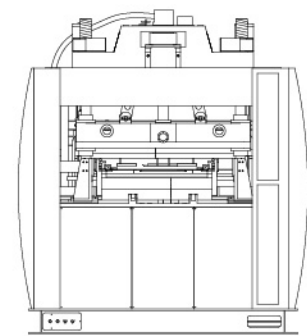
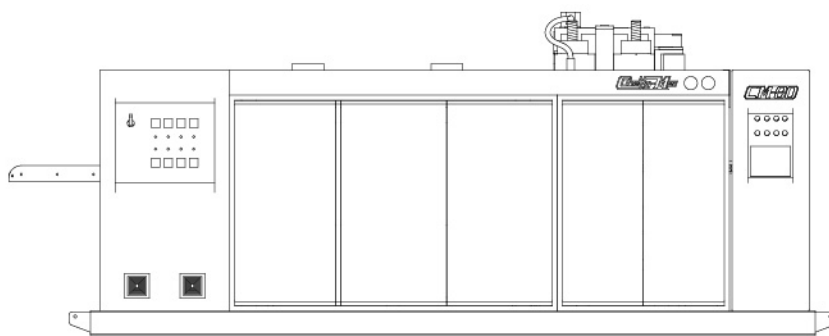
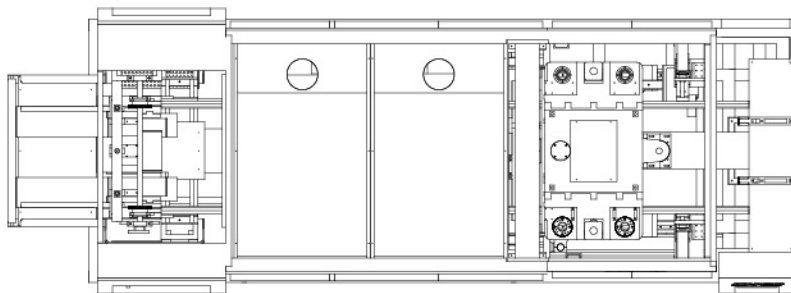
／ Feature ／

- ◎ Heater open by two side to save operation space.
- ◎ Upper & Lower mold position drive by Servo Motor , precise control the stroke position.
- ◎ Balance plate with buffer hydraulic design at Forming base, mold can more closure when forming.
- ◎ Upper & Lower air pressure or Vacuum Forming switch by PLC system.
- ◎ Upper & Lower ceramic heater design , SSR and P.I.D. temperature control.
- ◎ F.C.D. casting is construction.
- ◎ PP 、 HIPS 、 OPS 、 PLA 、 PET 、 PVC 、 PE 、 ABS 、 PSP...
etc various material are available
for Food & Industrial packaging.
- ◎ PLC and color touch screen control.
Allow 40 Modules memory.



CM-80 Thermoforming Machine

ITEM	SPECIFICATION
Forming Area	Max: 800(W)×800(L)mm, Min: 600(W)×650(L)mm
Sheet thickness	0.2mm~2.0mm
Sheet Width	Max: 850mm, Min: 650mm
Forming Height	Max: 100mm
Mold Close Force	50 Tone
Forming Method	Air Pressure & Vacuum Forming
Operation Method	Fully automatic PLC and color touch screen control
Machine Dimension	6,570(L)×2,860(W)×2,550(H)mm
Machine Weight	9,000kgs



承美機械有限公司
CHENG MEI MACHINE CO., LTD.

台灣省桃園縣大溪鎮大鶯路1619號
 No. 1619, Daying Rd., Dasi Town, Taoyuan County,
 Taiwan 33553
 Tel: 886-3-307-6309 Fax: 886-3-390-9519
 E-mail: cheng-meimei@cheng-meimei.com.tw
 http://www.cheng-meimei.com.tw