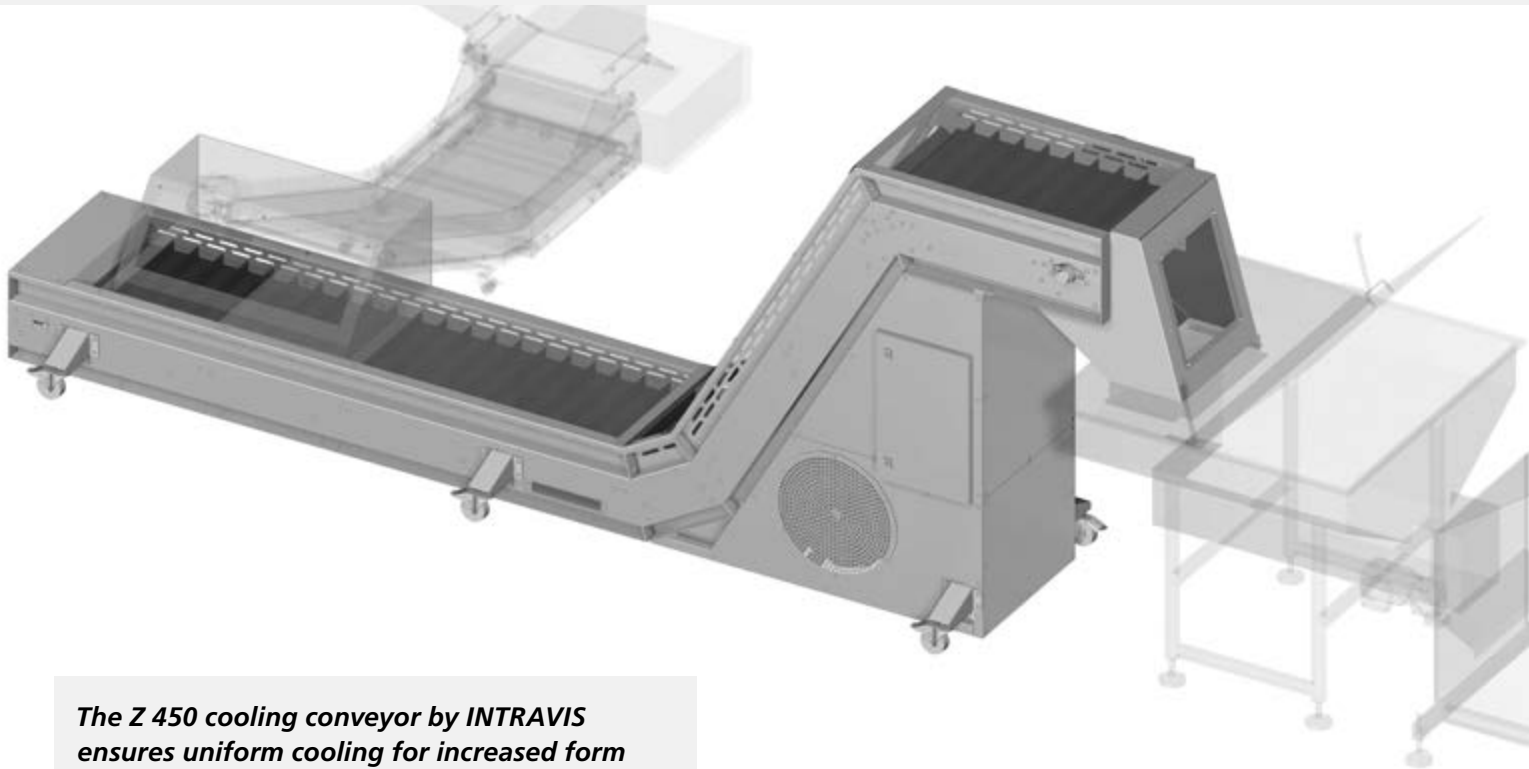


Z-COOLING CONVEYOR 450

COOLING OF STANDARD CLOSURES OF ANY KIND

Based on 20 years of industry experience, the Z-Cooling conveyor 450 by INTRAVIS with its adjustable cooling and gentle conveying provides optimal conditions for smooth processing of your closures.



The Z 450 cooling conveyor by INTRAVIS ensures uniform cooling for increased form stability and better product quality.

The INTRAVIS' Z-Cooling conveyor 450 highlights include mobile stainless steel housing as well as low-wear and **FDA-compliant modular chain belt conveyor**. In addition, it can be connected to the IntraVision software making the conveyor an ideal component for your production line.

With an output of up to **275.000 closures per hour** we can keep up the pace with all production rates!

As a reliable partner, INTRAVIS offers custom development for your needs, simple integration and worldwide service. Whether its a cross conveyor, the vision inspection system or the packaging station, INTRAVIS provides

the entire downstream equipment of your closure production – everything **from a single source**.

Measurements

- ✦ Length: 4500 mm
- ✦ Width: 600 mm
- ✦ Height of filling level: 375 mm
- ✦ Height of hand over: 1200 mm

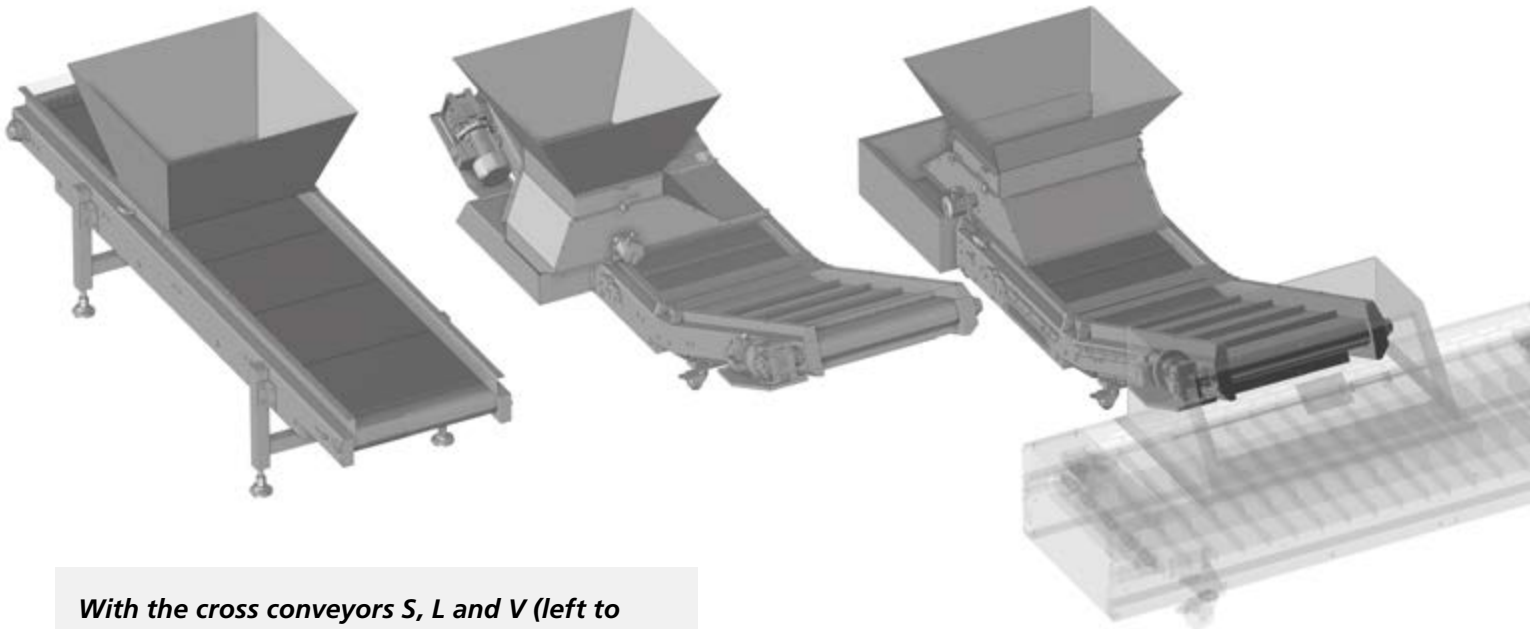
Output

- ✦ Up to 275.000 objects / hour

CROSS CONVEYORS

TRANSPORT OF STANDARD CLOSURES OF ANY KIND

Based on 20 years of industry experience, the cross conveyors S, V and L by INTRAVIS provide an ideal solution for every injection molding machine. Whether it is the discharging of the first shots at the starting moment or the extraction and separation of single quality shots – INTRAVIS cross conveyors include the right options for your needs.



With the cross conveyors S, L and V (left to right), INTRAVIS offers the right solution for every installation situation

The robust stainless steel housing and the low-wear, FDA-compliant modular chain belt conveyor as well as a **well-defined interface to your injection molding machine**, are just some of the highlights that make INTRAVIS cross conveyors the optimal component for your production line.

Our **customizable funnel solutions** enable integration into every injection molding machine!

As a reliable partner, INTRAVIS offers custom development for your needs, simple integration and world-wide service. Whether it's a cross conveyor, the cooling conveyor or the vision inspection system with precise closure filling, INTRAVIS provides **the entire downstream equipment** of your closure production – everything **from a single source**.

Dimensions of cross conveyor belt L*

- Length: 2280 mm
- Width: 650 mm
- Funnel: customizable

* Data for cross conveyor S and V upon request