

# Gravimetric Dosers



## BeltColor™

*Gravimetric belt doser for colors and additives*

### Features:

- For injection molding and extrusion machines
- For granules and micro granules
- Fast and fully automatic material adaptation
- Reverse mode for easy draining and cleaning
- Wide dynamic feeding range under one setup
- Exceptional linear feeding rate
- Advanced control algorithm (C.P.R)
- Loss in weight technology
- Integrated air amplifier material loader
- Dedicated SMART PLC control



### Special application

- Combination of BeltColor™ and CD™ series (hybrid system)

### SMART Control:

- Color touch screen
- Multi-language interface
- Galvanic isolated I/O for superior protection
- Isolated 10/100 Ethernet port
- Integrated machine data acquisition
- Optional remote PC control compatibility with *Vision MES Extrusion and Injection* software



**Capacity range with Granules \***

Extrusion 0.04 kg/h – 60 kg/h

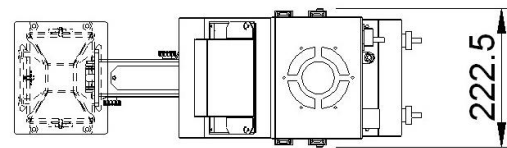
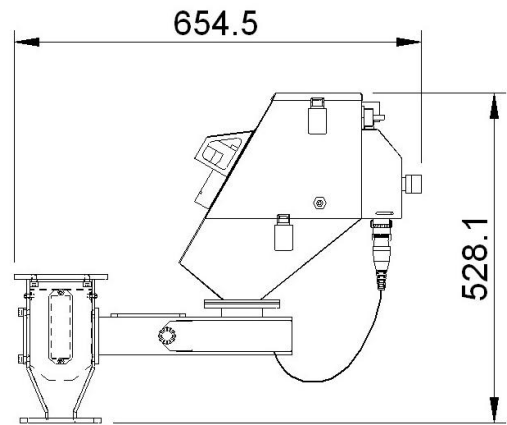
Injection 0.01 gr/sec – 17 gr/sec

**Capacity range with Micro Granules \***

Extrusion 0.02 kg/h – 10 kg/h

Injection 0.006 gr/sec – 2.8 gr/sec

\* Depending on the material's properties



**Integrated air amplifier data:**

PRESSURE (Bar)	2	3	4	5	6
<b>Air Consumed (m<sup>3</sup>/min)</b>	0.125	0.175	0.210	0.265	0.295
<b>Outlet Flow (m<sup>3</sup>/min)</b>	0.156	0.355	0.398	0.426	0.456



**BeltColor with adaptor and hopper**