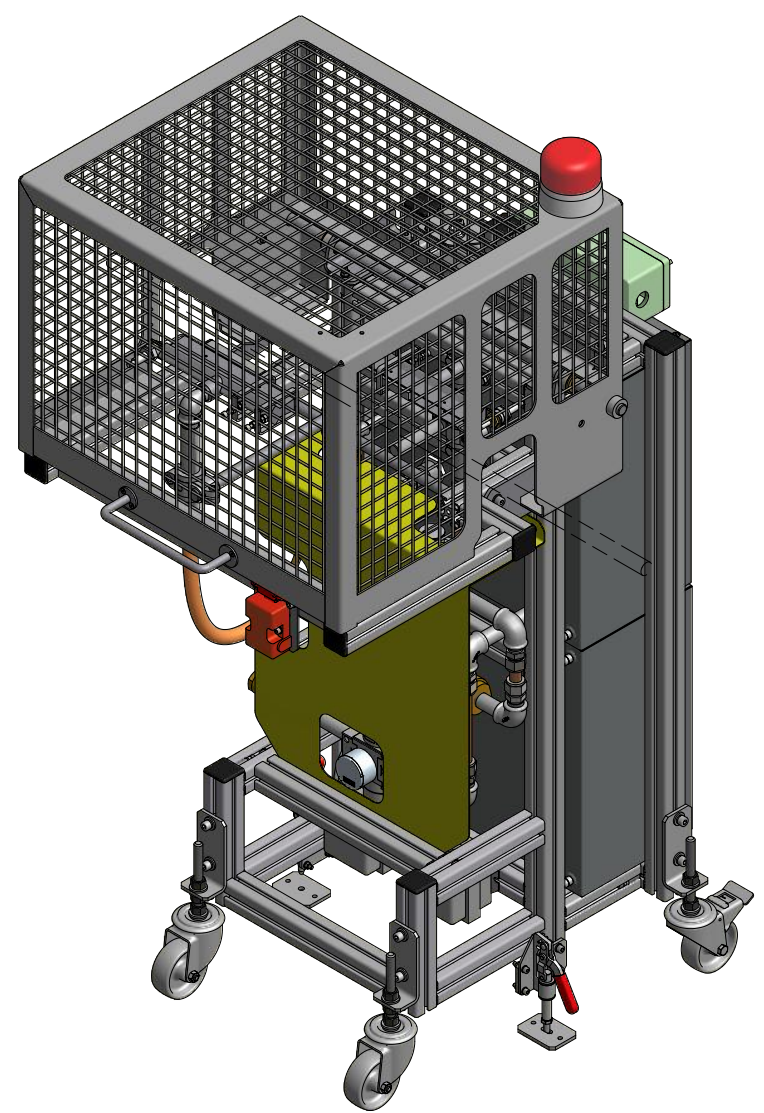


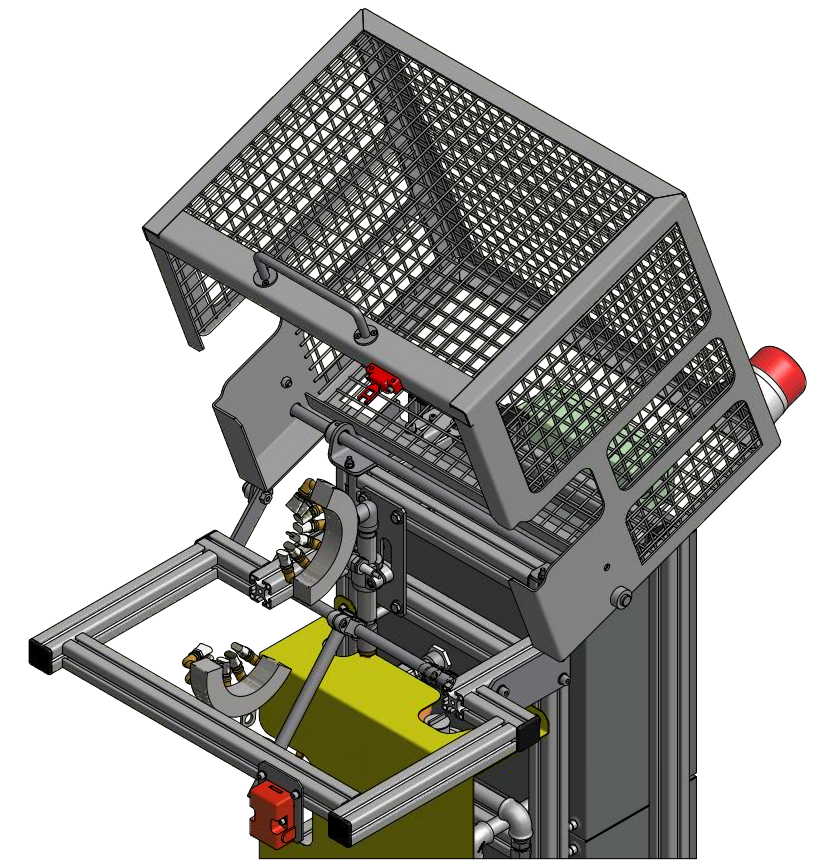
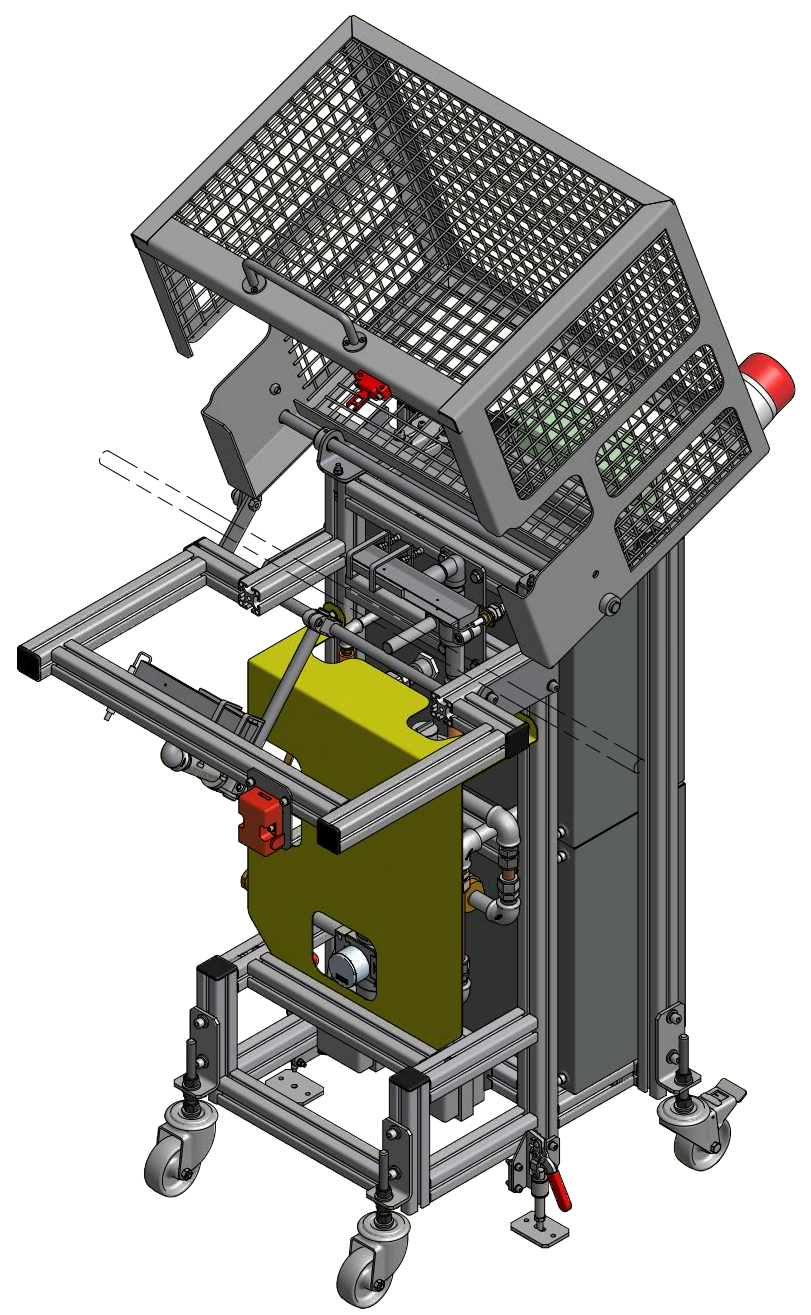
6 5 4 3 2 1

D

D



RFC11219-01
OPTION WITH RIBBON BURNERS



RFC11219-02
OPTION WITH RING BURNERS

C

C

B

B

A

A

REVISION HISTORY							
REV	DESCRIPTION					DATE	DES'R
0	FIRST ISSUE					18/04/2019	VK
DESIGNED BY		CHECKED BY		APPROVED BY		DATE	SCALE
VK		JAD		JAD		18/04/2019	
RAPIDFLAME UK LIMITED					FLAME TREATMENT UNIT		
www.rapidflame.com							
+44 (0)0161 989 3363					RFC11219		ISSUE
					0		SHEET
					1		1 / 1

6 5 4 3 2 1