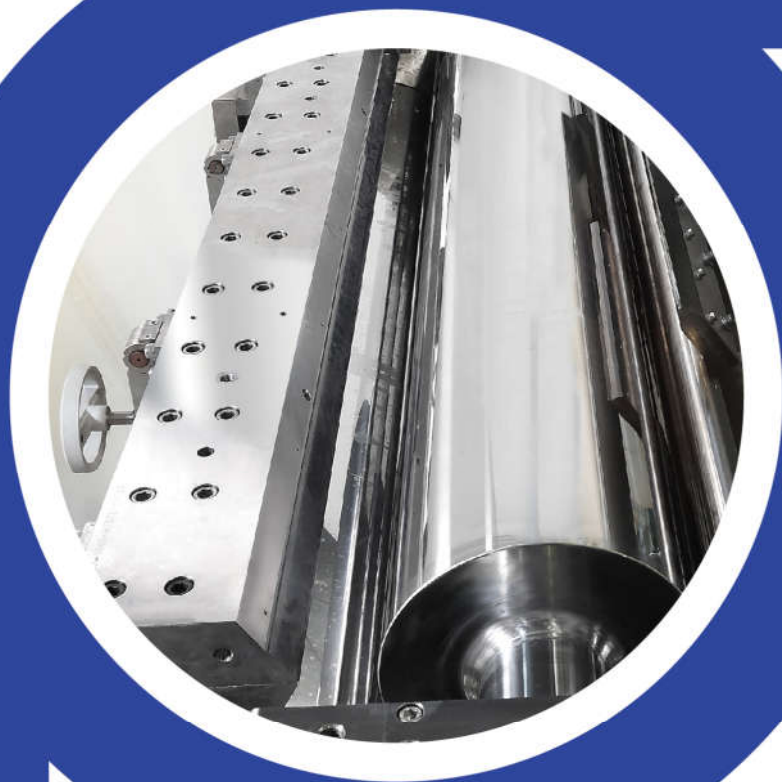


政鈺機械股份有限公司
GMA MACHINERY ENTERPRISE CO., LTD.

PRECISION ADJUSTMENT



Coating Eqipt.

塗佈設備



材料試驗
TESTING



創新開發
INNOVATION



打樣試產
SAMPLING



技術合作
COOPERATION

塗佈模具系列

Slit / Slot Die

特色 Feature

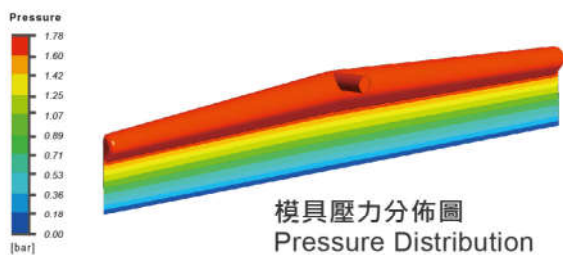
政鈺重視客戶塗料及產品需求，專業研發人員利用3D電腦模擬軟體，搭配超過30年以上的專業經驗，根據流體特性來設計流道，從設計到安裝，政鈺提供完整的技術協助，為客戶量身打造最具優勢的產品。



GMA provides the comprehensive analysis and support based on customer's requirements. GMA's strength is to use 3D simulation to design the flow channel by the fluid properties. By 30 years of experience in coating industry, GMA has confidence in providing the best service from design to assembly.

政鈺引進國外最新精密設備來實現高精密度，採用先進的研磨技術，使加工唇口的真直度在2um以內來降低模具寬幅的膜厚誤差。

GMA introduced the latest ultra-precision equipment and advanced grinding technology to make the lip straightness deviation under 2um, and further to well control the coating thickness.



塗佈模貝
Slot Die



狹縫式雙層
Slot Die For 2 Layers



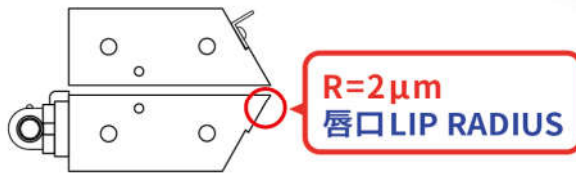
斜板式單/雙層
Slide Die For 2 Layers

狹縫式模具塗佈

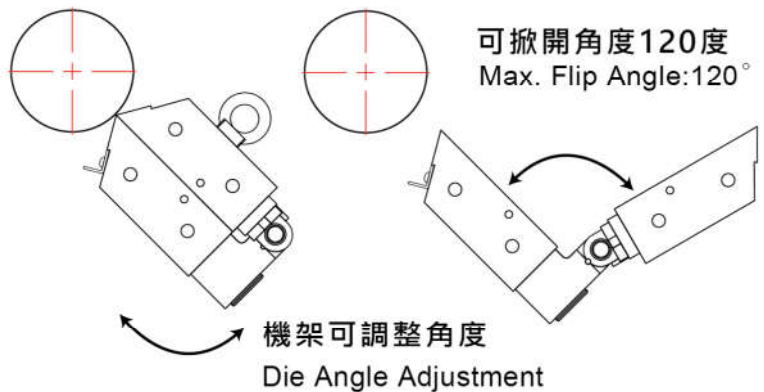
Slot Die Coating

狹縫式模具塗佈座 Slot Die Coating Station

1. 搭配高精密狹縫塗佈模具，真直度/平面度達 $2\mu\text{m}$ ，表面粗糙度達 $\text{Ra}0.02\mu\text{m}$ 。
High precision slot die with straightness and flatness at $2\mu\text{m}$. Surface roughness below $\text{Ra}0.02\mu\text{m}$
2. 高精密背膠輪真圓/真直度 $2\mu\text{m}$ ，表面粗糙度 $R_{\text{max}}1.0\text{S}$
High precision coating roller with Surface Roughness: $R_{\text{max}} 1.0\text{S}$, Roundness and Straightness: below $2\mu\text{m}$
3. 電子顯示間隙控制，解析度 $1\mu\text{m}$
Index knob movement with digital gap display.
Resolution $1\mu\text{m}$



▲ 唇口採用超硬合金技術
Tungsten Carbide Lip



Feature Of Base

- Cleaning device for coating roller
- Inspection window
- Die position adjustment design
- Vacuum system
- Nickel plating surface of all station.
- Jumping system by air cylinder

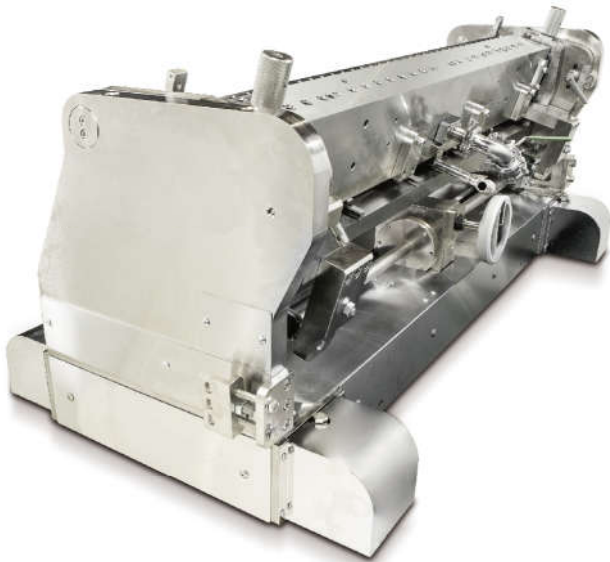
基座架構

- 背膠輪清潔機構
- 塗佈檢查視窗
- 角度調整機構
- 真空室設計
- 機構本體不鏽鋼鍍鎳防鏽處理
- 二段前進後退氣壓缸行程, 過接料設計

狹縫模具 & 逗號刮刀塗佈

Slot & Comma Coating

卡匣塗佈座 Coating Stations and Cassettes



政鈺能以最簡易方式去調整並精進現有塗佈製程，保留現有刮刀塗佈，並利用現有背膠輪及傳動系統，使塗佈座同時具有兩種塗佈方式。

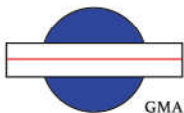
GMA can modify and improve your current station in the simplest way. The multifunction design combines with the traditional comma coating and slot coating. The innovated mechanism provides you more choices all in the coating system.

微凹式塗佈

Micro-gravure Coating

微凹塗佈座 Micro-gravure Coating Station

1. 適用低粘度及低塗佈量高精密塗佈生產
High precision production for low viscosity and thin coating thickness.
2. 機座輕量化，微凹板輪拆裝設計便利
Easy disassemble Micro-Gravure roller with light weighting design in coating station.



GMA 政鈺機械股份有限公司
GMA MACHINERY ENTERPRISE CO., LTD.



43547台中市梧棲區永興路二段362巷28號 | No.28 Lane 362, Sec. 2, Yung Hsing Rd., Wu Chi Dist., Taichung, Taiwan, R.O.C

+886-4-26303228

gma@gma.com.tw

+886-4-26303208

www.gmatw.com