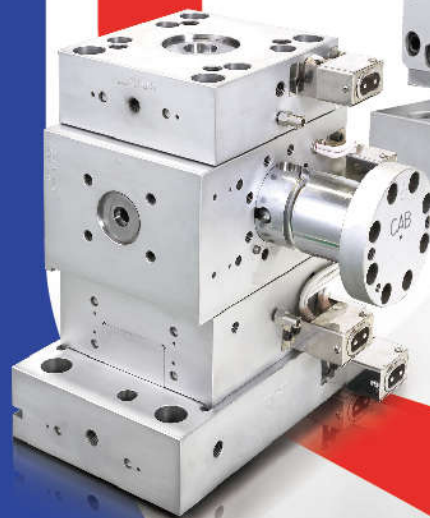


政鈺機械股份有限公司
GMA MACHINERY ENTERPRISE CO., LTD.

FEEDBLOCK

分配器系列

COEXTRUSION



政鈺所生產的分配器可依客戶需求定製，針對各層塑料特性、物性以及塑料間的黏合，採用最先進的電腦模擬系統，與客戶研討出最適合的各層比例分配，如何在分配器內使各種物性不同的塑料結合，同時考量塑料生產中流速、容積以及溫度等變化因子，透過政鈺客製化的設計流道路徑都能加以克服。

GMA feedblock products are customized according to customer's requirements. For the plastic properties, physical properties and bonding between plastics, the most advanced computer simulation system is used to study the optimal proportion distribution of each layer. How to make various physical properties in the feedblock the combination of plastics, while taking into account the flow rate, capacity and temperature variations in plastic production, can be overcome through the custom design flow path by GMA.



積木式分配器

Fix Geometry Feedblock

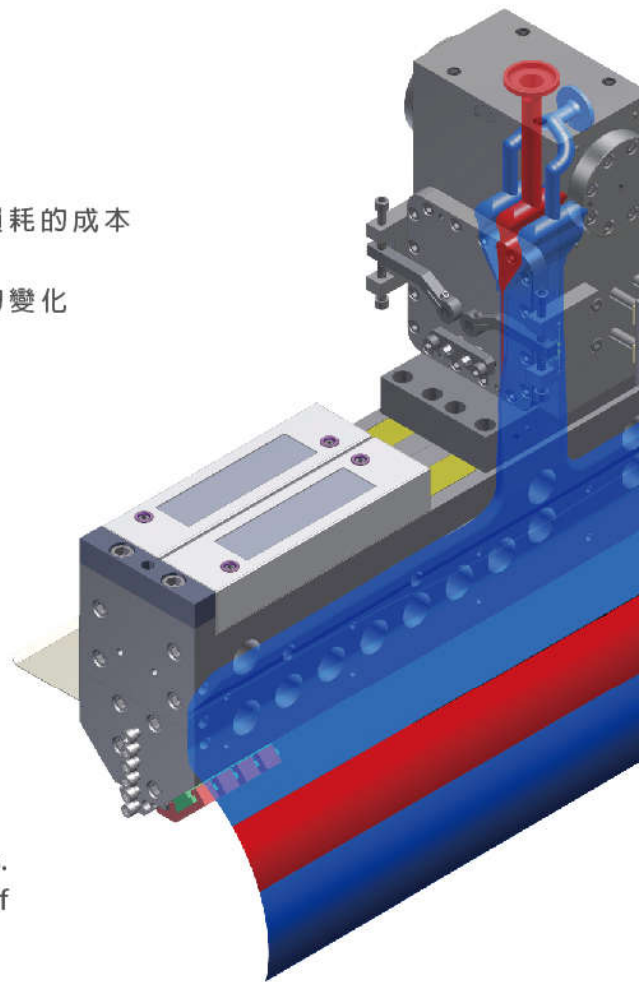
- 流道構造單純，滯留點少
- 可因客戶需求配合模具入口變化，可由一入口至四入口的多軸變化
- 精密的內部流道設計，以及表面特殊處理
- 具防腐蝕、耐熱、耐磨特性
- 可依塑料流變性質設計流道，以適應熔體聚物流變的特點及成品強度
- 適用多層複合產品的生產要求
- Simple manifold structure, few retention points
- Customized manifold design, 2 or 4 inlets, for different Extrusion Die inlet as required by the customer
- Precision internal manifold design along with special surface treatment
- Corrosion, heat and wear resistant design
- Manifold design varies with rheology property of polymer material to adapt to features and strength of rheology of melted polymers
- Applicable with multi-layer composite production requirements of different materials

	兩層 2-layer	三層 3-layer	四層 4-layer	五層 5-layer	七層 7-layer	十層 10-layer
分層結構 Structure	AB	ABC/ABA	DABC	ABCDE ABCBA	ABCDCBA	ABCBAABCBD
適用塑料 Polymers	泛用塑料 General polymers					
適用押出量 Capacity	100~1000kg					

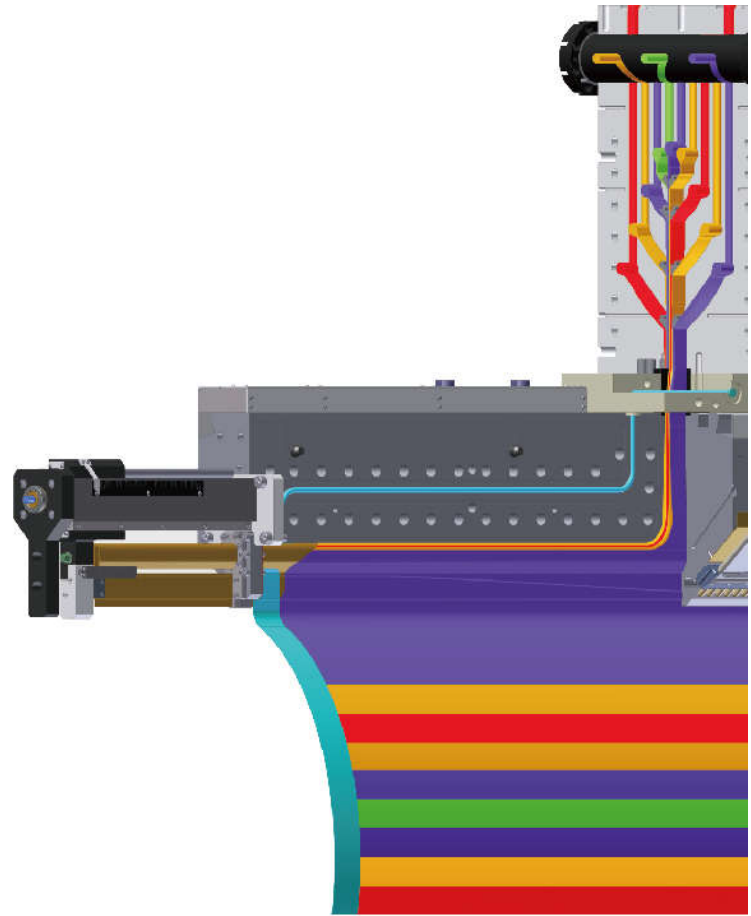
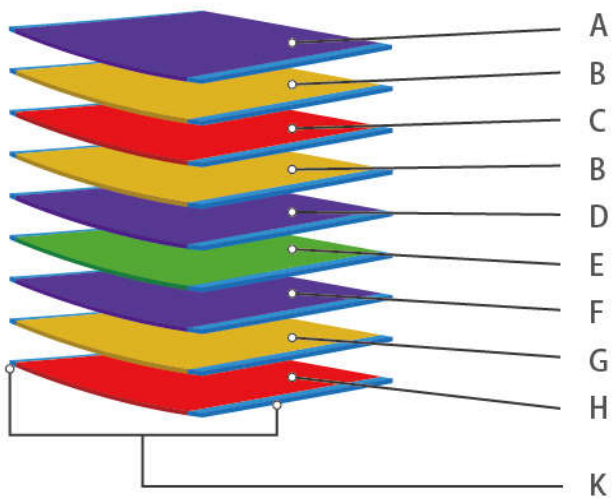
可調式分配器

Variable Geometry Feedblock

- 可於生產中直接調整各單層厚度，操作便利，降低調整損耗的成本
 - 依產品需求設計多層空間
 - 依客戶需求加入選擇器，以供客戶因應不同產品及分層的變化
 - 精密的內部流道設計，以及表面特殊處理
 - 具防腐蝕、耐熱、耐磨特性
 - 可適應熔體聚物流變的特點及成品強度
 - 適用多層複合的生產要求
- Direct changing thickness of individual layers during production. Easy operation, production costs reduction.
 - Multi-layer space design according to product requirements.
 - Interchangeable selector as required by customer to adapt to different products and changing layers required by the customer.
 - Precision internal manifold design along with special surface treatment.
 - Corrosion, heat, and wear resistant design.
 - Adaptive to features and strength of rheology of melted polymers.
 - Applicable with multi-layer composite production requirements of different materials.



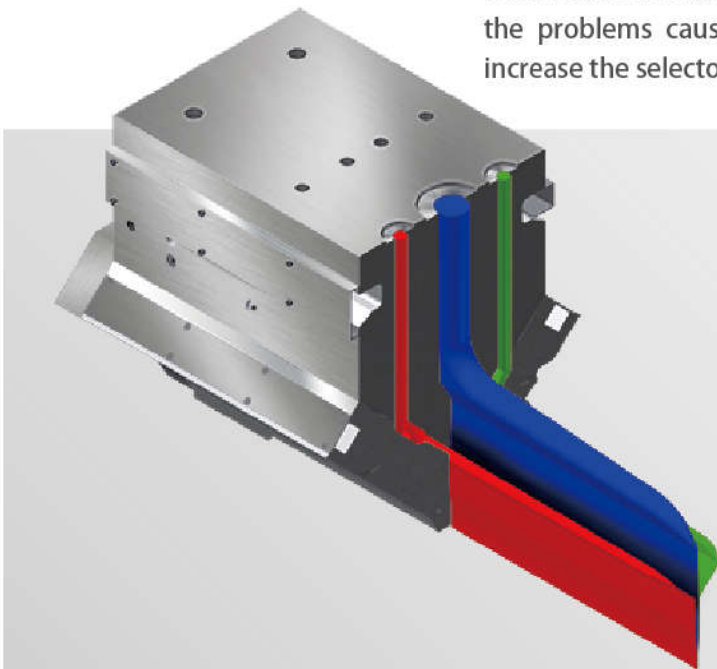
	兩層 2-layer	三層 3-layer	四層 4-layer	五層 5-layer	七層 7-layer	十一層 11-layer
分層結構 Structure	AB	ABC/ABA	DABC	ABCDE ABCBA	ABCDCA	KABCDEFHGK
適用押出量 Capacity	100~1000kg	100~1000kg	100~1000kg	100~1000kg	100~1000kg	100~800kg
適用塑料 Polymers	泛用塑料 General polymers					
分層比例調整 Rate adjustment	5%內 up to 5%					



直接式分配器 Feedblock

一般使用於光學性板材製品，因不同聚合物未於分流頭內堆疊，而是直接於模頭內結合後於短距離內便立即出模嘴成形，可避免各分層間介面所產生的問題。分流頭可視需求增加選擇器供選層變換。

Generally using in optical sheet products, because different polymers are not combine in the feedblock, but are directly formed in the die and then formed into the die lip immediately within a short distance, which avoids the problems caused by the inter-layer interface. The feedblock can increase the selector for different layers options.



GMA 政鈺機械股份有限公司
GMA MACHINERY ENTERPRISE CO., LTD.



📍 43547台中市梧棲區永興路二段362巷28號 | No.28 Lane 362, Sec. 2, Yung Hsing Rd., Wu Chi Dist., Taichung, Taiwan, R.O.C

☎ +886-4-26303228

✉ gma@gma.com.tw

☎ +886-4-26303208

🌐 www.gmatw.com